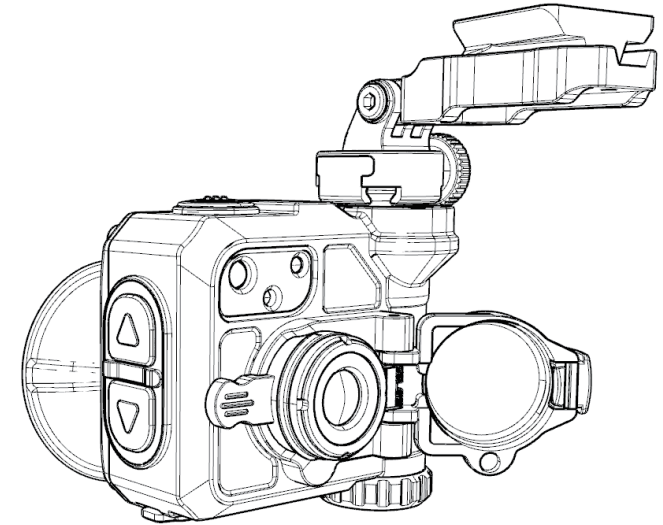


Pharos 3

Super Small Size Helmet Thermal Imager



User Manual

Attention!

Export of **Pharos 3** model.
May have export limitations depending on the laws in your region.

Pharos 3 Specification	
Model	Pharos 3
Main Characteristics	
Detector	Uncooled Vox
Resolution	384×288
Pixel	12μm
Optical Characteristics	
Objective lens	9.7mm
Magnification	1×
FOV(H×V), m @100m	47.5×35.6
Detection distance (Target size: 1.7m×0.5m, P(n)=99%)	687m
Display	
Display type	OLED
Display resolution	1024×768
Functions	
Zoom	1×/2×/4×
Function	Gain adjustment, polarity conversion, video output, external power supply
Indicator light	Led light, infrared supplementary light, SOS light
Power Supply	
Battery	1×16340
Operating time (at t=22°C)	3h
Physical Characteristics	
Dimension	72×66×52 mm
Weight	175g
Environmental Compatibility	
Ingress protection rating	IP67
Operating temperature	-20°C-+50°C
Storage temperature	-40°C-+70°C

RoHS  

CONOTECH

Wuhan CONO Technology Co., Ltd
Tel: 0086-27-86635300

Email: info@cono-tech.com
www.cono-tech.com

Power on/ Power off

- 1.Press the twistlock to open the lens cover, the device will power on automatically.
- 2.Close the lens cover, after calibration, wait for 10s, the device will power off automatically.

Calibration

- 1.Close the lens cover.
- 2.After the calibration is succeed.
- 3.Open the lens cover again.

Main menu

The Main menu allows change of basic settings.
Short press **M** button to enter Main menu.

Palette

Short press **Up / Down** Button to switch palette from WH (White hot), BH (Black hot), GH(Green hot), RH(Red hot).

Short press **M** button to save the setting and switch to the next menu.

Brightness

Short press **Up/Down** Button to switch brightness from 1~5.

Short press **M** button to save the setting and switch to the next menu.

Zoom

Short press **Up/Down** Button to switch zoom from 1x, 2x, 4x.

Short press **M** button to save the setting and switch to the next menu.

Quick menu

Short press **UP/Down** button to select digital zoom from 1x, 2x, 4x under real-time image.

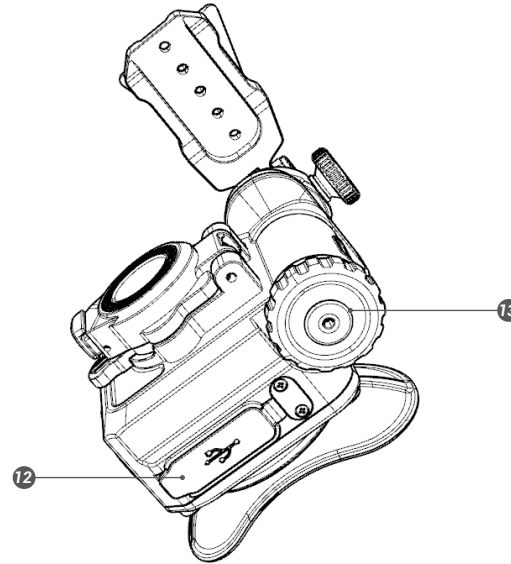
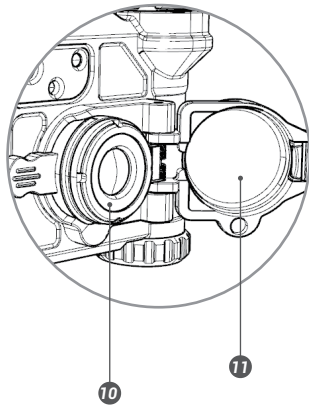
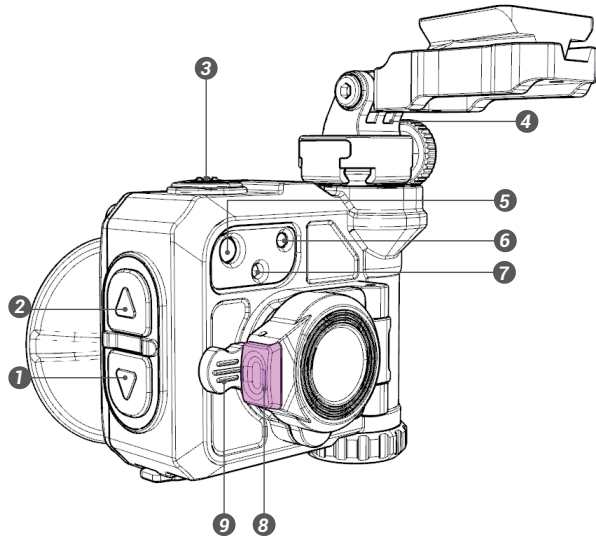
Light

- 1.Long press **M** button to turn on/off light.
- 2.Long press **Up** button to select the light from White light, Red light and IR.
- 3.Long press **Down** button to switch the Light display mode currently in use from always-on,flashing, SOS.

SOS Mode

- 1.Long press **UP and Down** button to trigger SOS mode.
- 2.Long press **UP** button to select the light from White light, Red light and IR.
- 3.Long press **M** button to exit SOS mode.

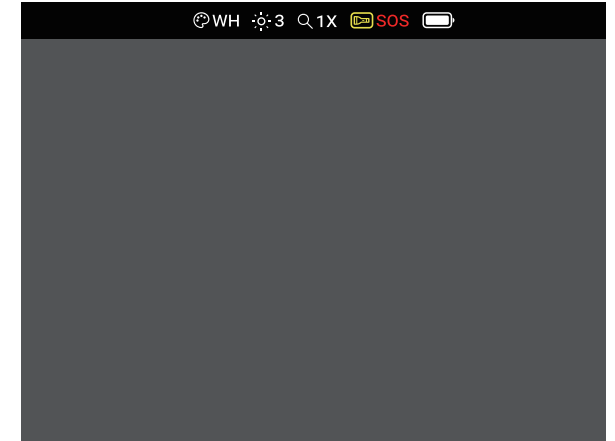
EXTERNAL VIEW






- 1** DOWN button
- 2** UP button
- 3** M button
- 4** Turnover mount
- 5** White light
- 6** Red light
- 7** IR
- 8** Twistlock
- 9** Focus handwheel
- 10** Lens
- 11** Lens cover
- 12** Video out / Type-C
- 13** Battery compartment cover

NOTE All images used in this instruction manual are for illustrative purpose only. Actual product may vary due to product enhancement. (V.2.0)






STATUS DISPLAY



The status display shows information on the actual operating status of the device including:

- Palette
- Brightness
- Magnification
- LED light (shown if activated)
 -  White light
 -  Red light
 -  IR
- SOS mode (shown if activated)
- Battery capacity

CONTROLS

	Status	Long press	Short press
	Real-time image	Turn on / off LED light	Enter menu
	Menu	Save/ Exit menu	Switch menu options
	Real-time image	Switch LED light from White light / Red light / IR	Zoom
	Menu	/	Up
	Real-time image	Switch LED mode from always-on/flashing/SOS	Zoom
	Menu	/	Down
 	Real-time image	Trigger SOS mode	/